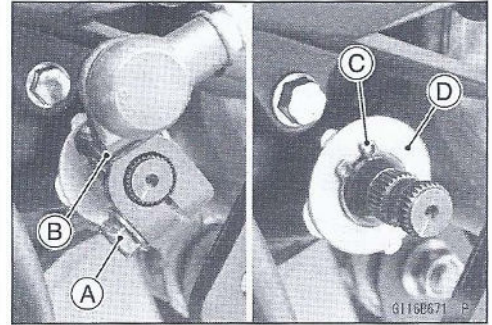


# Kawasaki Shifting Arm Assist Kit Ninja 500 2024/Current

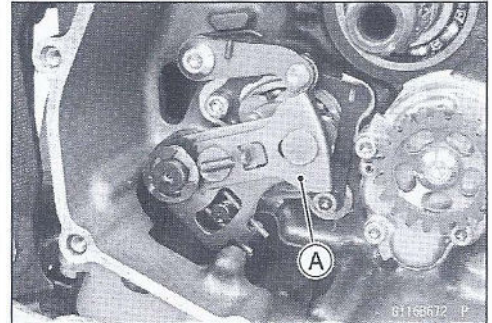
## External Shift Mechanism

### External Shift Mechanism Removal

- Remove:  
Clutch (see Clutch Removal in the Clutch chapter)
- Remove the shift lever clamp bolt [A], and disconnect the shift lever [B] from the shift shaft.
- Remove:  
OEM Circlip [C]  
OEM Washer [D]  
**Special Tool - Outside Circlip Pliers**

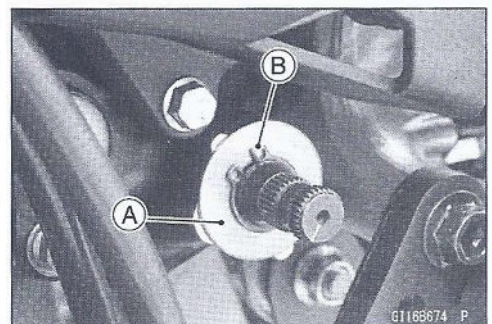
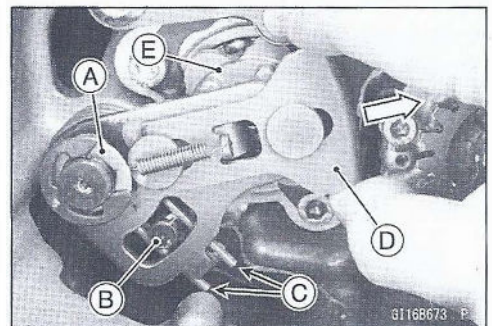
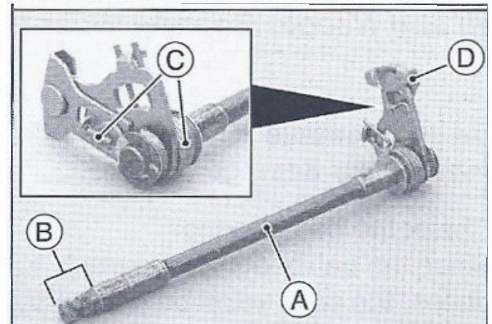


- Remove:  
Shift Shaft Assembly [A]



### External Shift Mechanism Installation

- Once that you have removed the Shift Shaft Assembly [A] remove the OEM kawasaki .040 Washer/Shim and replace it with the new thinner washer from the Spears Racing kit.
- Install:  
Shift Shaft Assembly [A]  
○Fit the return spring pin [B] between the spring ends [C].  
○Pull the shift mechanism arm [D], and hang it to the shift drum cam [E].
- Install Spears Racing Washer [A].
- Replace the circlip [B] with the new one supplied  
**Special Tool - Outside Circlip Pliers**



**Fit the circlip into the groove of the shift shaft securely.**



Spears Enterprises LLC/Spears Racing  
15253 S Inheritance Way  
Manteca Ca, 95336  
Ph(209)923-4684