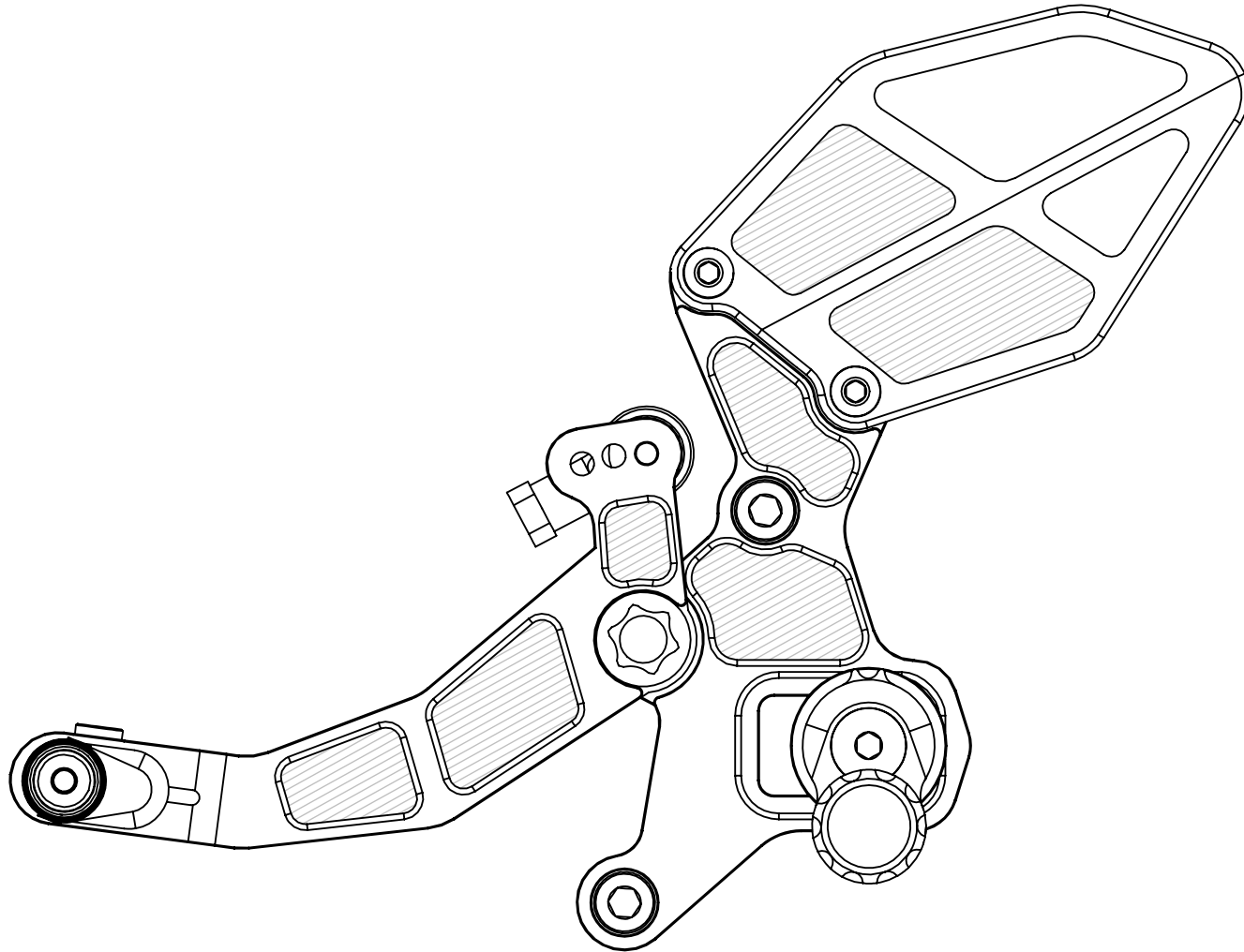


RS433 Shift Side INSTRUCTIONS

VORTEX[®]
control . drive .



THIS PRODUCT IS TO BE INSTALLED BY A CERTIFIED MECHANIC ONLY

1.800.440.3559
www.VORTEXRACING.com

RS433 Shift Side

INSTRUCTIONS

RS433 Shift Bracket

EXPLODED VIEW



INDEX



LUBRICATE



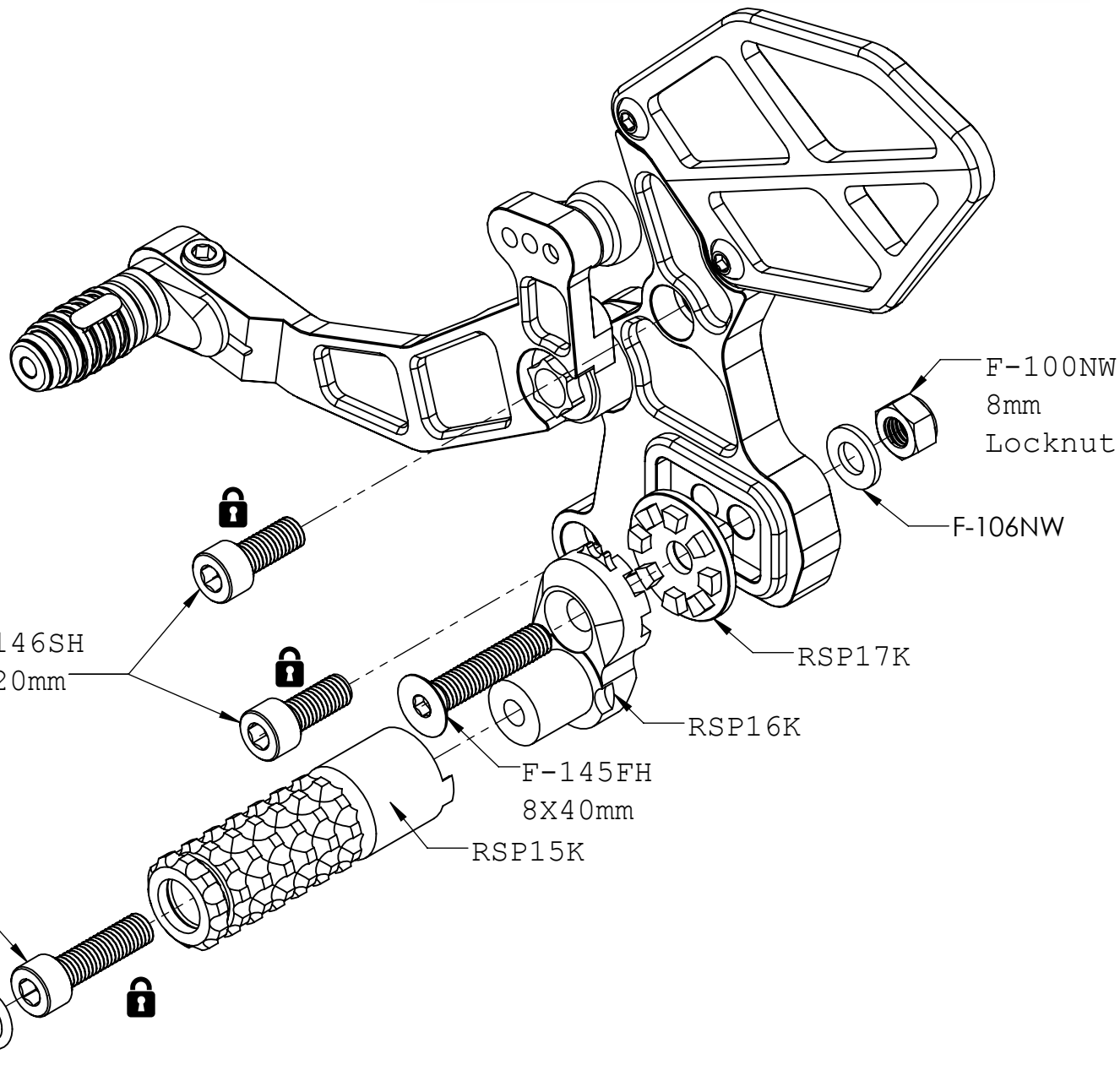
THREAD LOCK

OEM

USE FACTORY
PIECE



DO NOT
OVERTIGHTEN



RS433 Shift Side

INSTRUCTIONS

RS433 Shift Lever

EXPLODED VIEW



INDEX



LUBRICATE



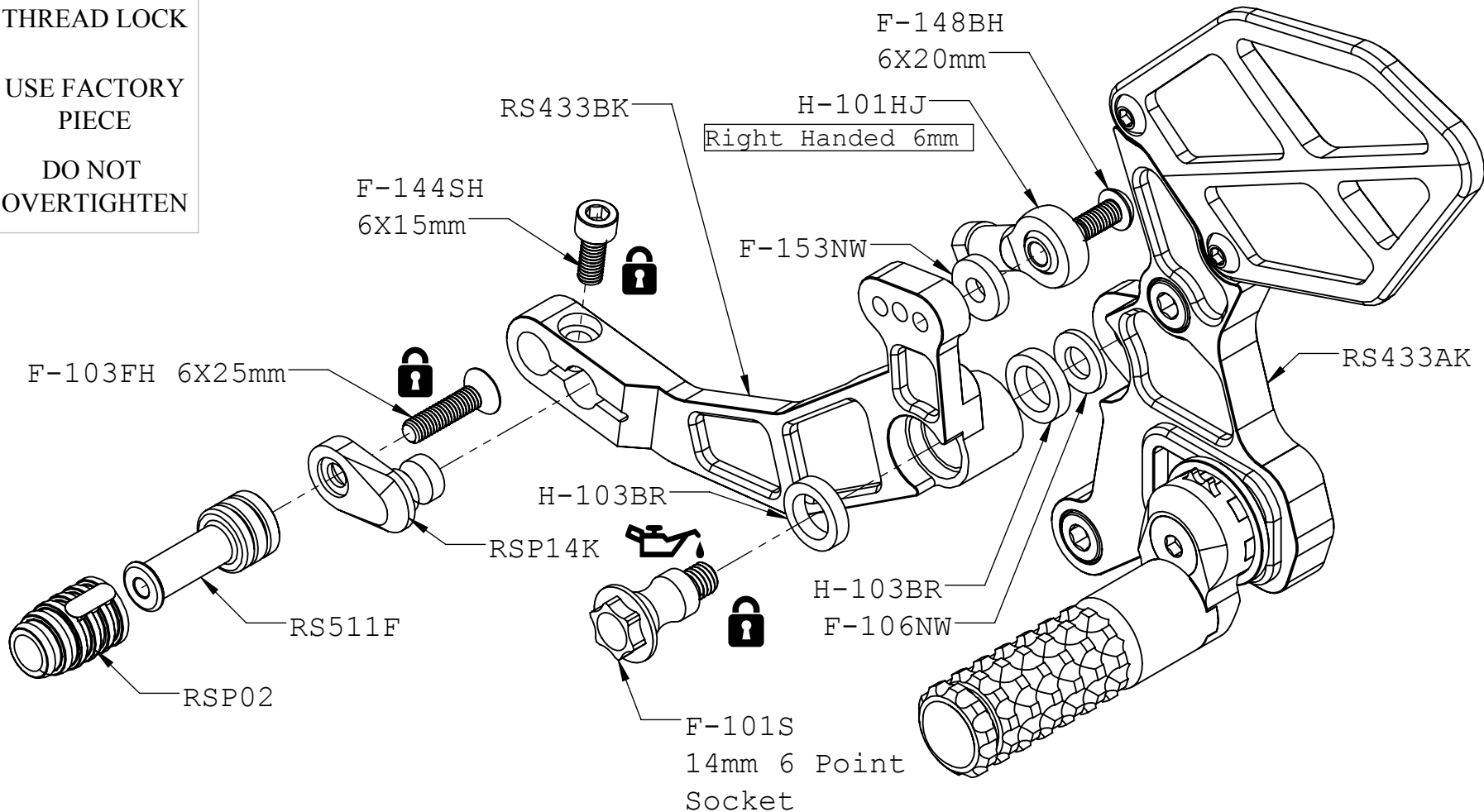
THREAD LOCK

OEM

USE FACTORY
PIECE



DO NOT
OVERTIGHTEN



RS433 Shift Side

INSTRUCTIONS

RS433 Heel Guard

EXPLODED VIEW



INDEX



LUBRICATE



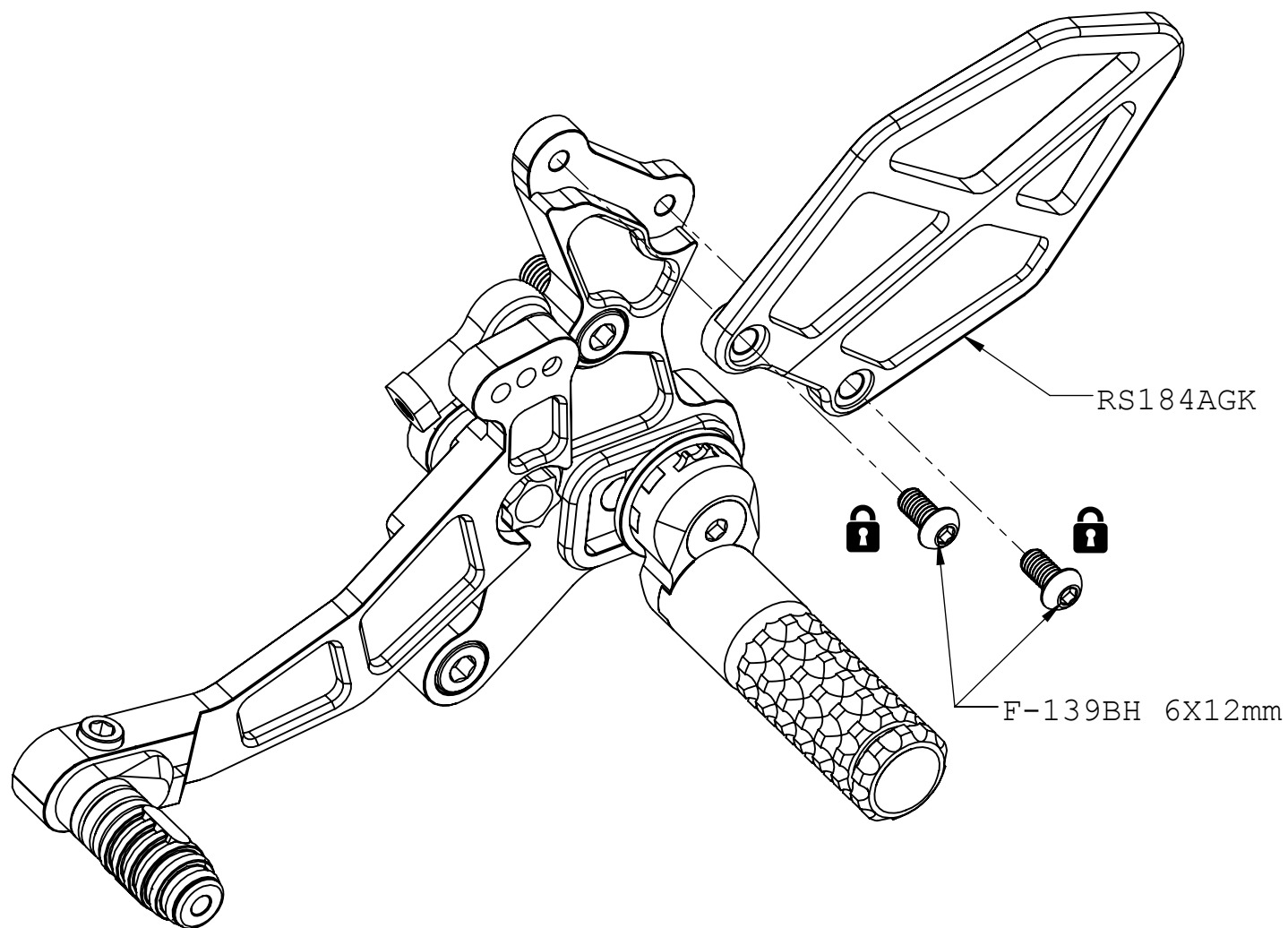
THREAD LOCK

OEM

USE FACTORY
PIECE



DO NOT
OVERTIGHTEN



1.800.440.3559

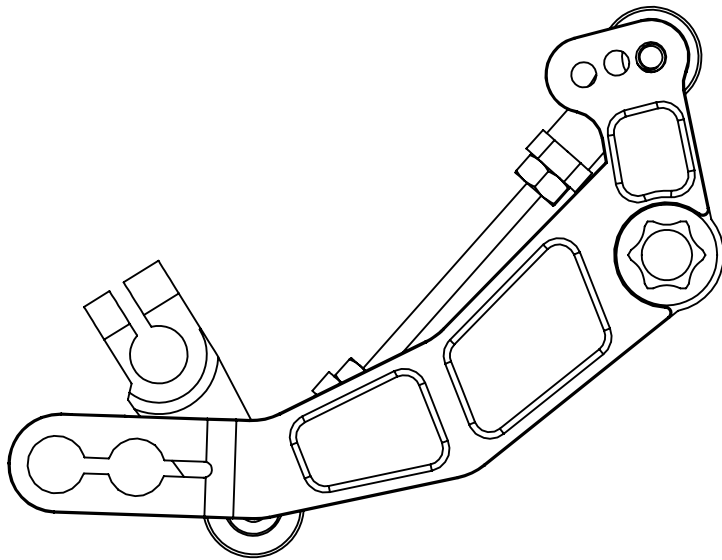
www.VORTEXRACING.com

RS433 Shift Side INSTRUCTIONS

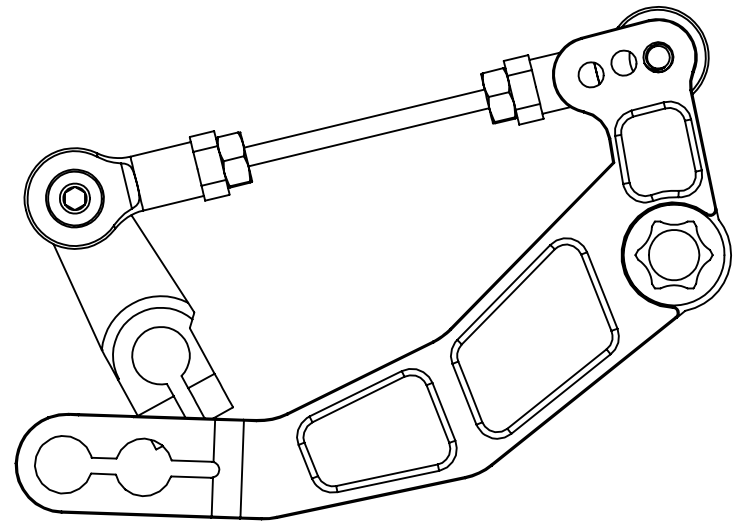
Standard & GP Shift Configurations



USE OEM SHIFT ROD AND NUT



GP SHIFT



STANDARD SHIFT